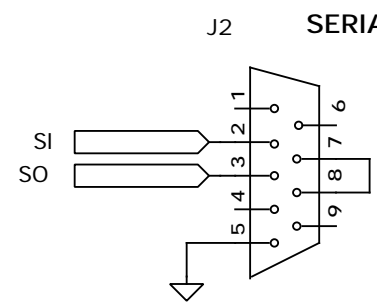


FUNCTIONS:
 Provide charging current to TAPS-6.
 Supply remote-mode power for long-term operations.



- NOTES:**
1. Common connected to chassis at this point.
 2. Neutral connected to enclosure at AC jack
 3. Case is ground on LM7805

TAPS-6 CHARGER I/O UNIT REV 3 WIRING
Last revised: 030128
BAE SYSTEMS / Ocean Sciences Group 4669 Murphy Canyon Road San Diego, CA 92123