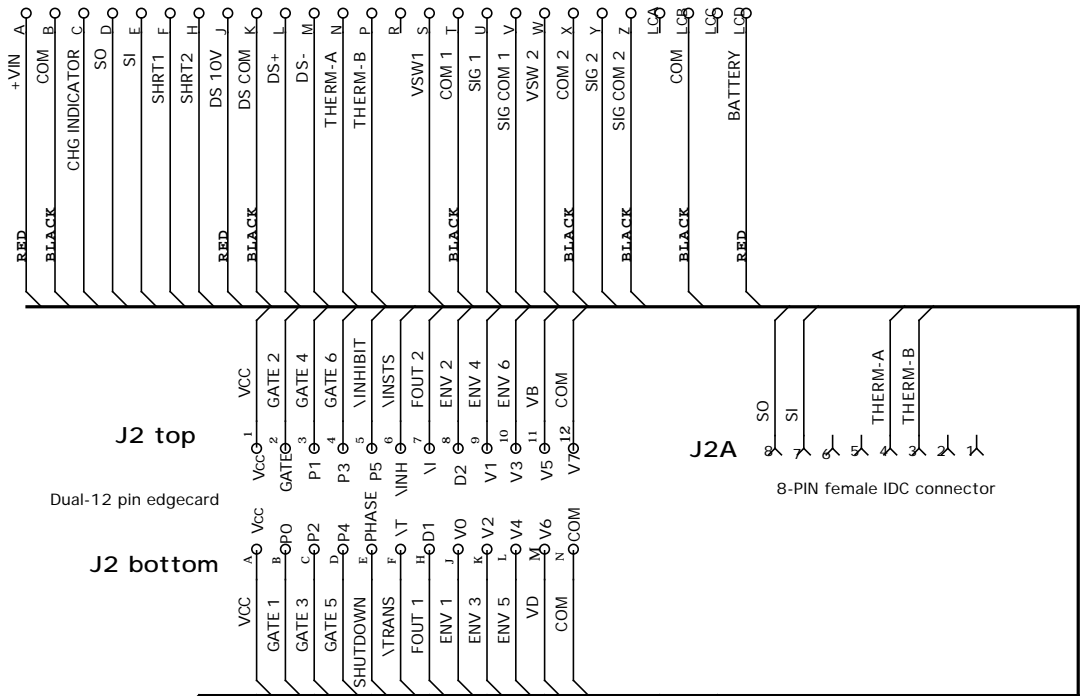


J1
DALE SMS20G-26SL

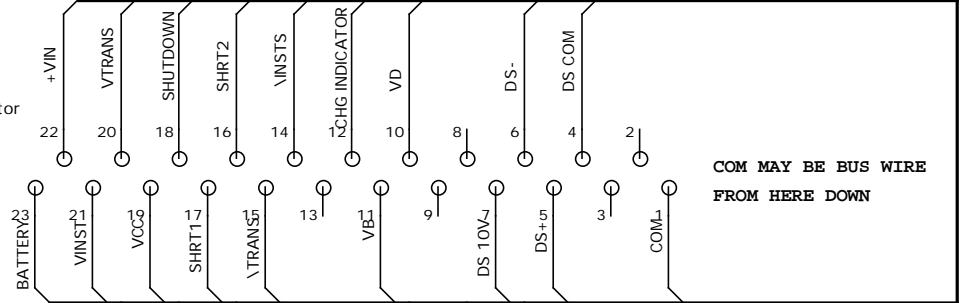
10" LEADS (ABOVE PLATE) -->
20 AWG WIRES

CPU - I/O



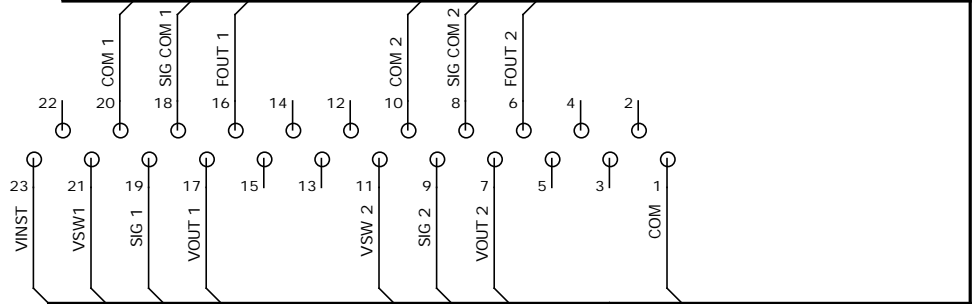
POWER CONTROL

J3
23-pin PCB connector



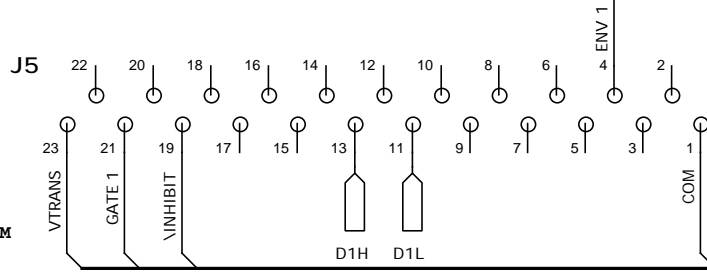
INSTRUMENT INTERFACE

J4



TRANSCEIVER #1 of 6

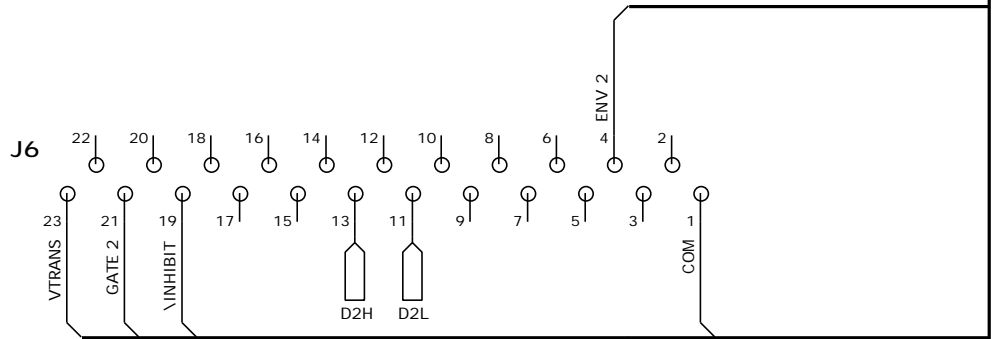
VTRANS MAY BE BUS WIRE FROM
HERE DOWN



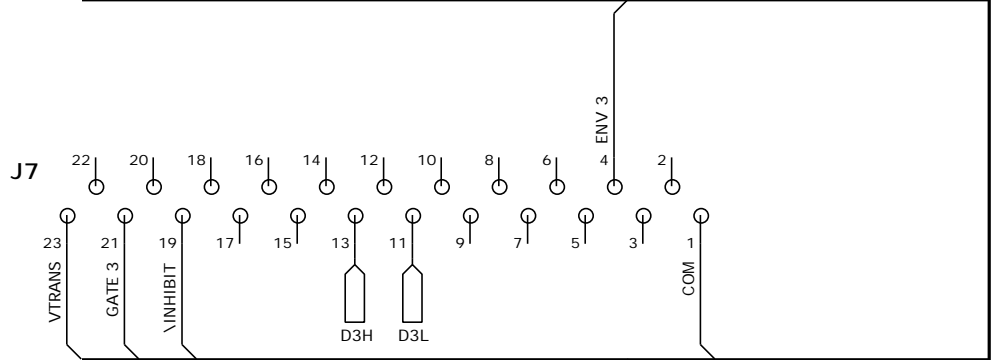
TAPS 6 BACKPLANE WIRING

Rev 1: 23 AUG 2000

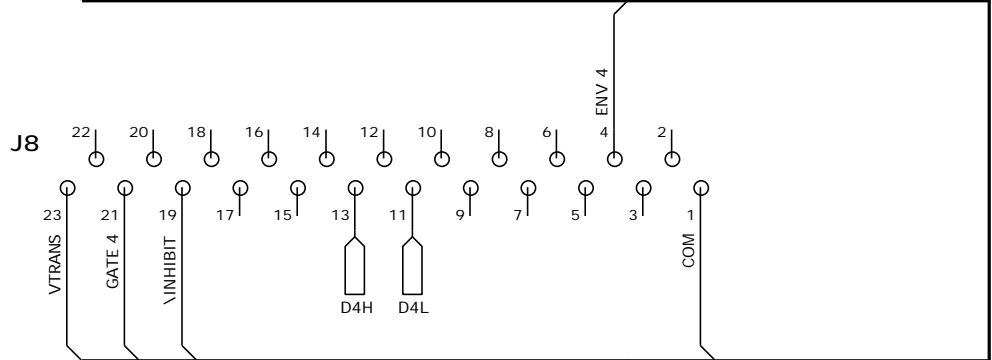
TRANSCEIVER #2 OF 6



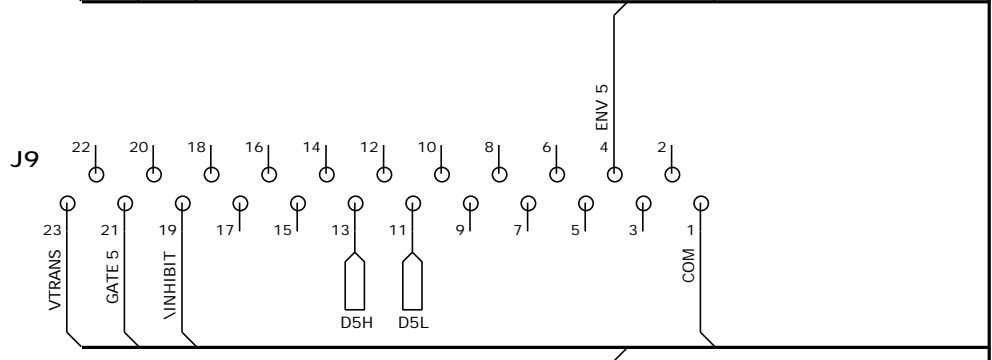
TRANSCEIVER #3 OF 6



TRANSCEIVER #4 OF 6



TRANSCEIVER #5 OF 6



TRANSCEIVER #6 OF 6

