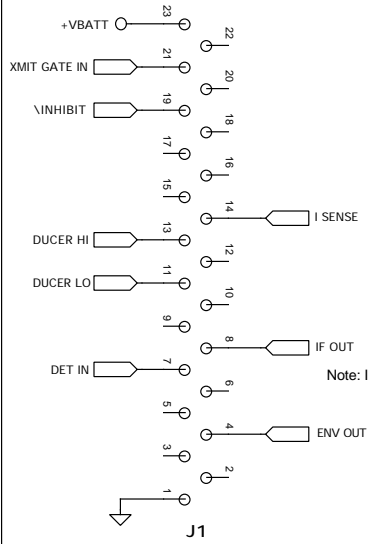


Transceiver V - rev 4

29 Nov 1997

Power/IO circuits



Note: IF OUT and DET IN must be wired from connector to provided pads.

