

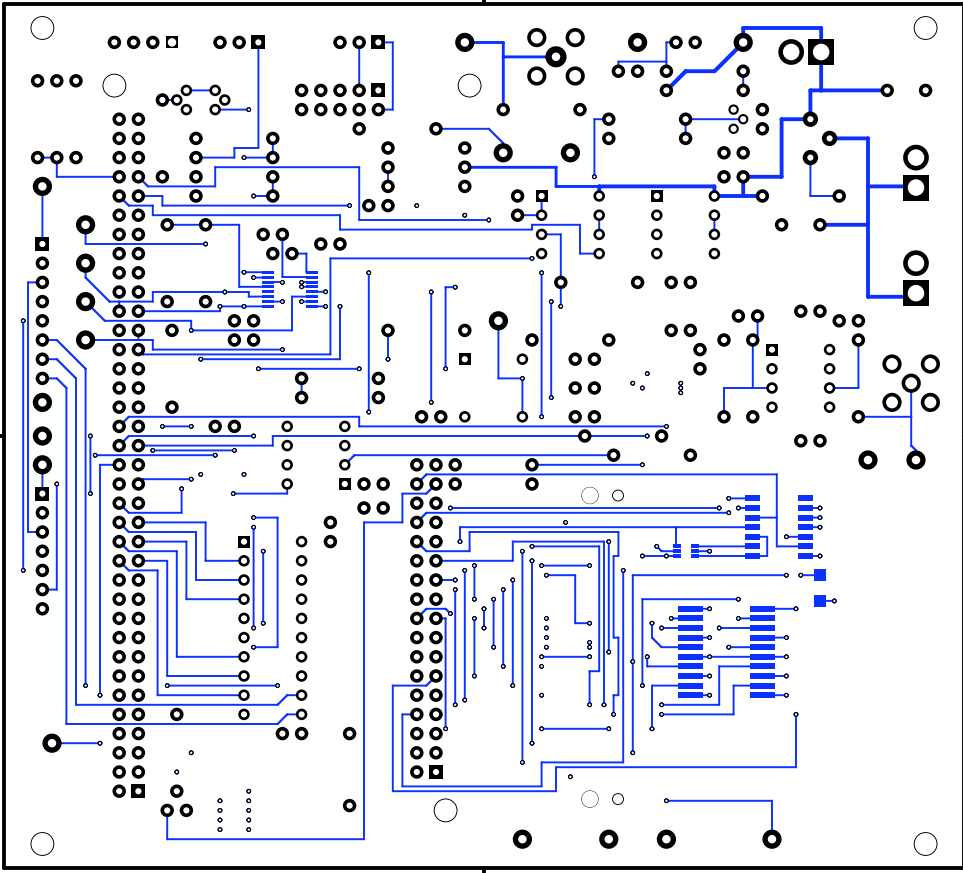
PADS

TOP PADS

TOP COPPER

NOAA CONTROLLER

08 Feb 2011



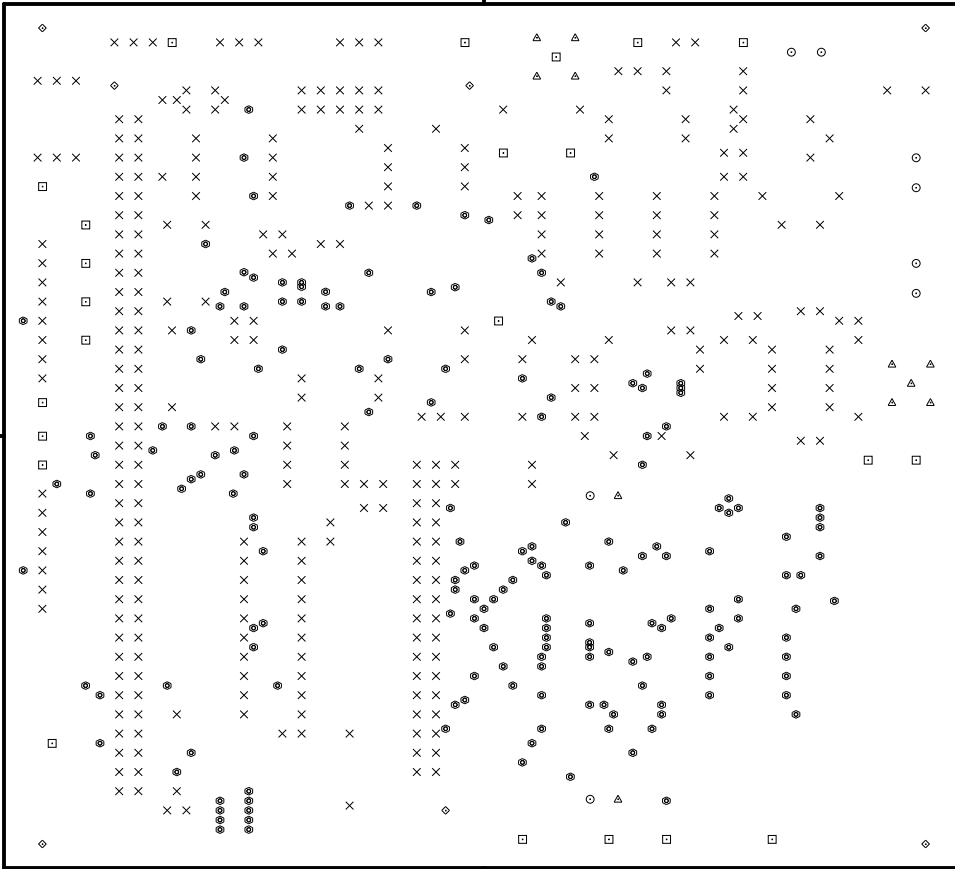
PADS

BOTTOM COPPER

BOTTOM PADS

NOAA CONTROLLER

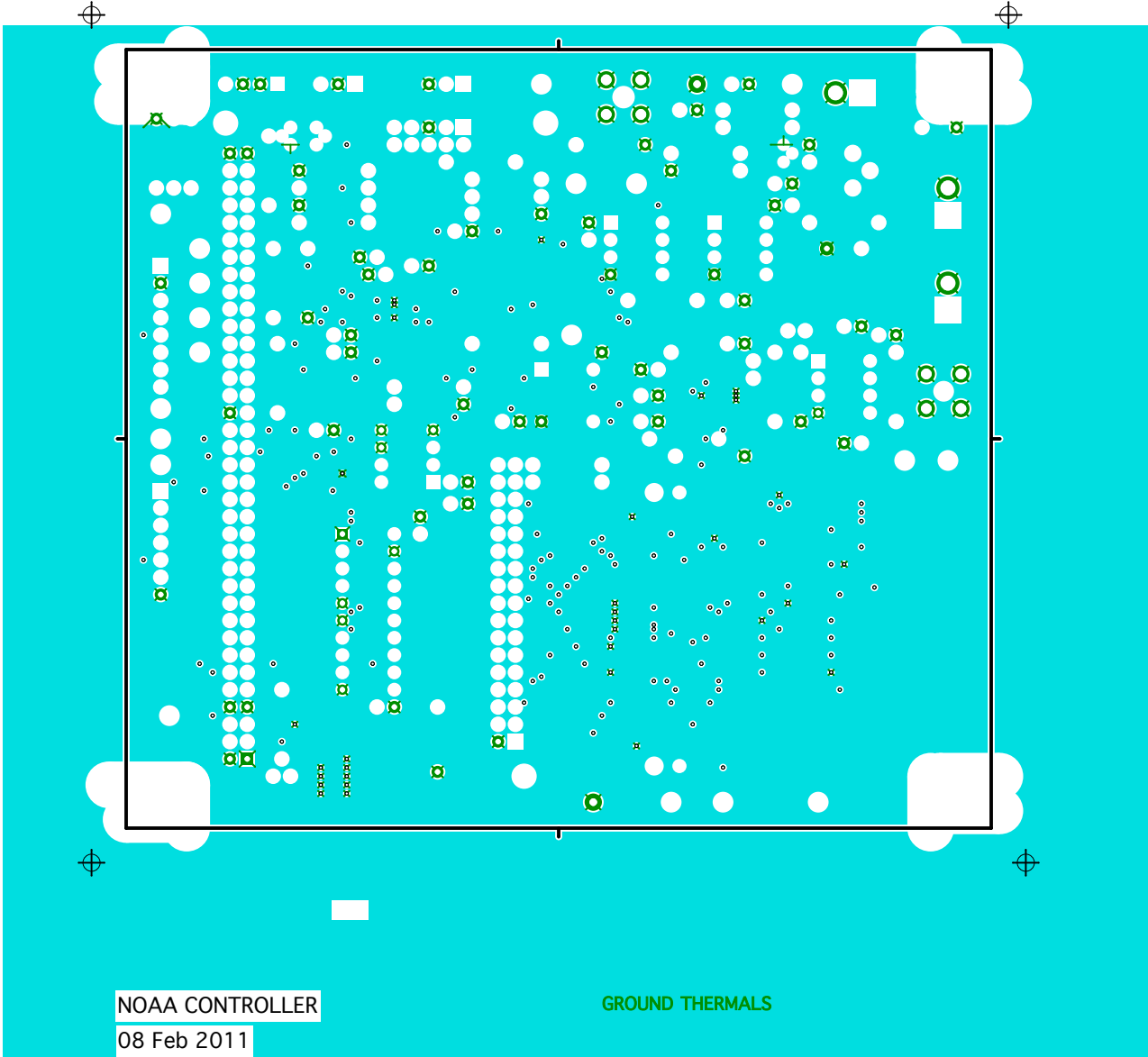
08 Feb 2011



NOAA CONTROLLER  
08 Feb 2011

**DRILL GUIDE**

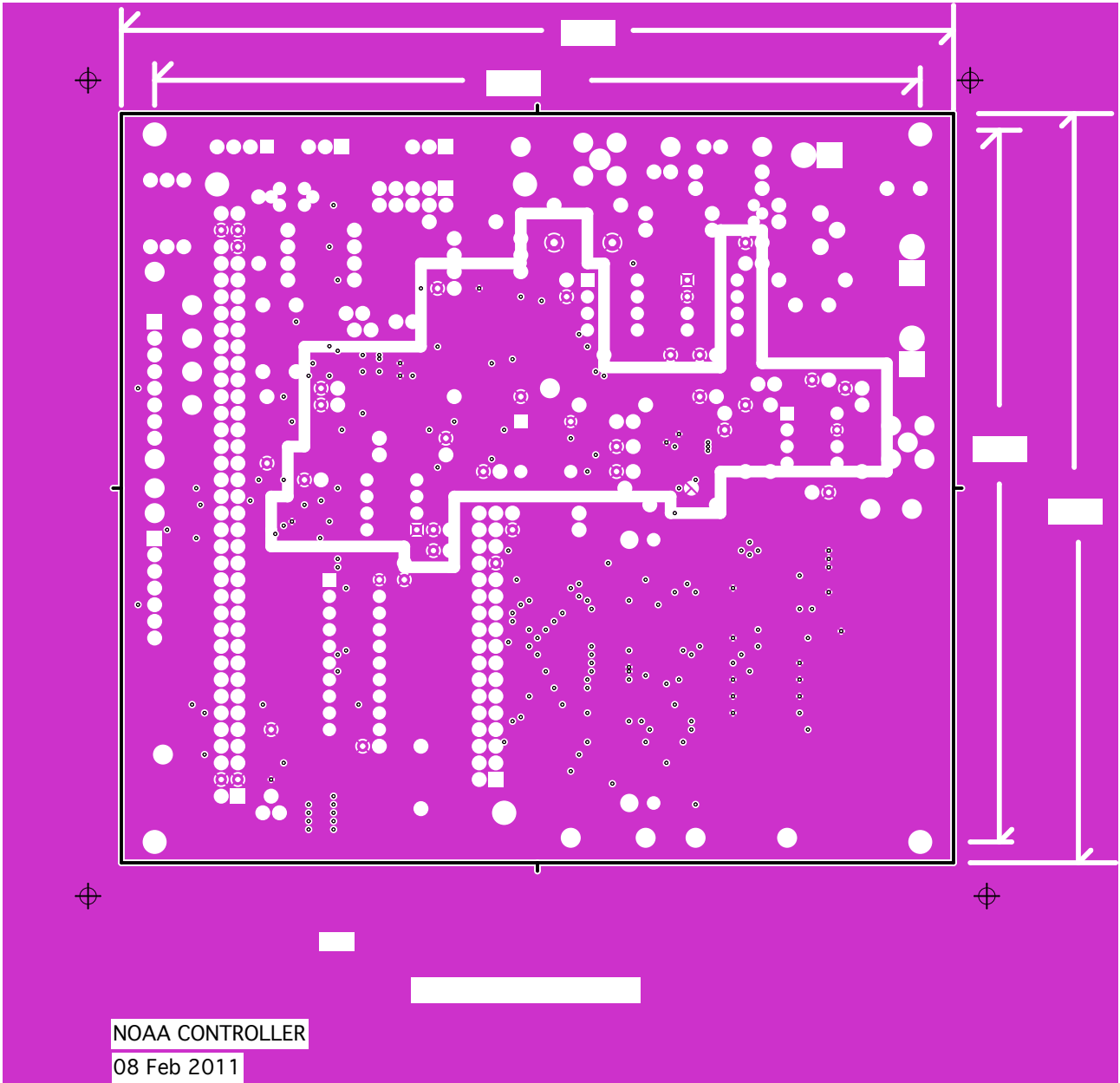
Symbol	Qty	Mils	mm
x	338	32	.81
□	23	45	1.14
△	11	63	1.60
○	8	86	2.18
◇	7	125	3.17
◉	181	15	.38

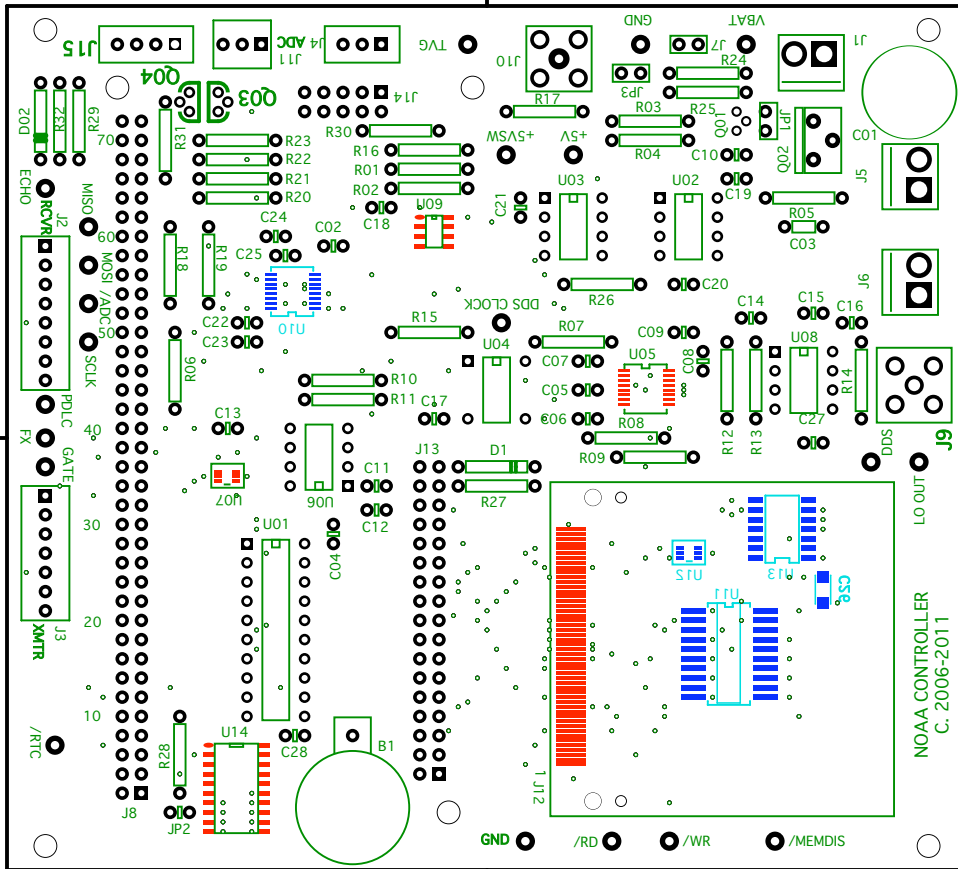


NOAA CONTROLLER

08 Feb 2011

GROUND THERMALS

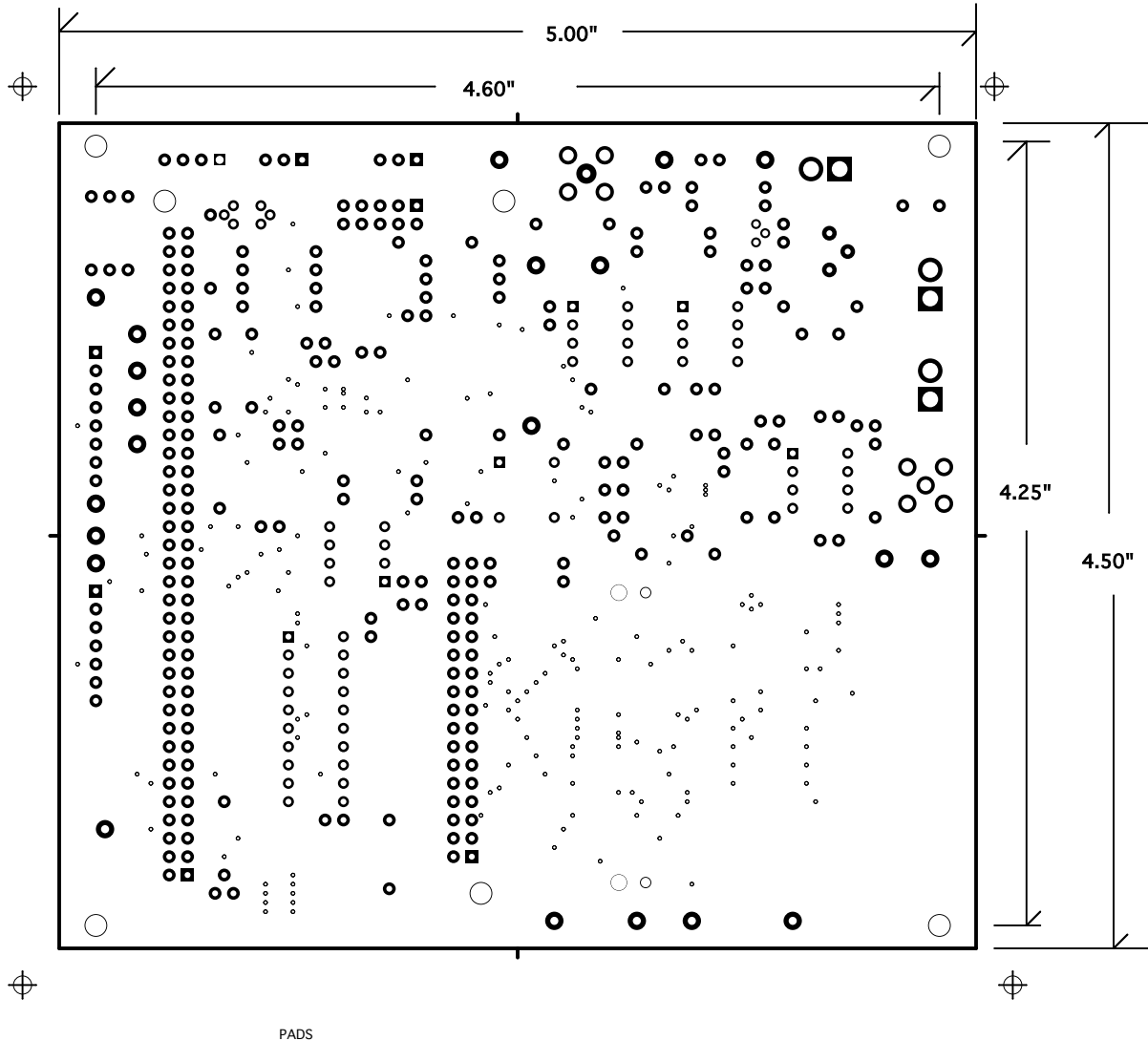




PADS  
 TOP SILK  
 TOP PADS  
 BOTTOM PADS  
 BOTTOM SILK

NOAA CONTROLLER  
 08 Feb 2011

NOAA CONTROLLER  
 C. 2006-2011



NOAA CONTROLLER  
08 Feb 2011