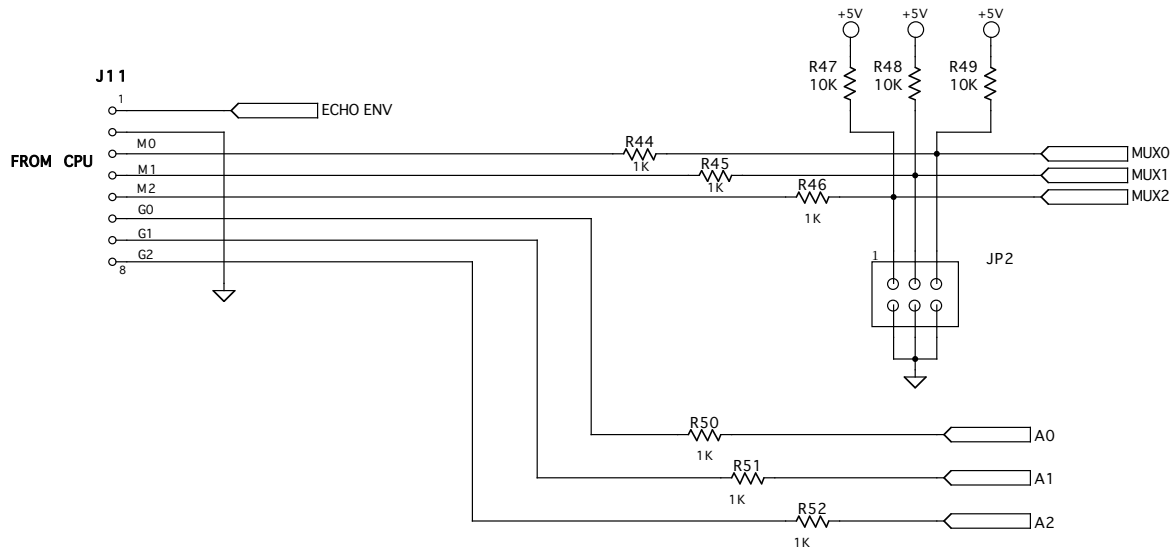


Add to card on solder side



TAPS New Generation Receiver section - page 1

Revision: 1

Date: 120421

Charles Greenlaw
302 Tailwind Dr, SEGUIN TX 78155
www.xetextracing.com

Rev 1: Add C47 at U13 to reduce inverter frequency